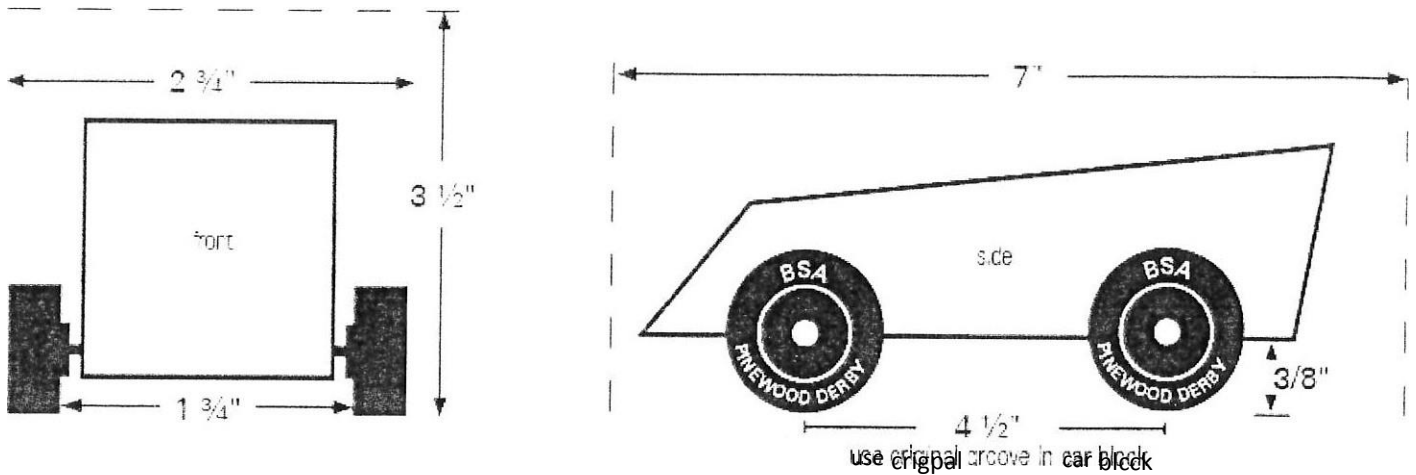


Pinewood Derby Rules



Building Suggestions

1. Max Car dimensions: length 7 in., width $2 \frac{3}{4}$ in., minimum spacing $1 \frac{3}{4}$ in. between inside surfaced of wheels, $\frac{3}{8}$ inch clearance to floor.
2. Add weights to the car so it is as close to the 5 ounce limit as possible.
 - a. Weights can be purchase at an Ace hardware store at pinewood derby area.
 - b. Scales will be provided at work day to allow adjustment to the weights.
 - c. Do not place weights on the bottom of the car
3. Paint the car before race day
4. Wheel alignment is critical for best performance. Car should run straight when pushed on a level surface.
5. Wheel slots are provided in the kit block.
 - a. These do not have to be used.
 - b. Wheel surfaces cannot protrude past the front or back of the car.
 - c. Holes may be drilled for the nail axles to reposition wheels, d, Holes must be perpendicular to the car side surfaces or the car won't run straight.